




ST521 DESCALING MACHINE





MODEL



DESCRIPTION

 Descaling machine for scaled fish species of different sizes. When ordering, please provide STEEN with the electrical specifications. Also inform us which fish species (preferably the scientific name) you would like to process including capacity.

 Машина для удаления чешуи для чешуйчатых видов рыбы разных размеров. При заказе, пожалуйста, сообщите STEEN о требуемых характеристиках электропитания. Также сообщите нам, какие виды рыбы (желательно научное название) вы хотели бы обрабатывать, планируемые объемы переработки.

 去鱼鳞机适合各种大小不同的鱼，订购时，请向STEEN公司说明电器规范，还要告诉我们您加工的鱼的种类（最好是学名）以及加工产量。

TECHNICAL DATA

FEATURE	DATA
Operators	1
Voltage range (1)	110 - 220V 50-60Hz
Power (1)	0,18kW (single)
Controls	-
LxWxH (2)	300x220x250 mm
Weight (3)	10 kg
Working width	-
Water usage	-
Water connection	-
Air usage	-
Air connection	-
Speed	-

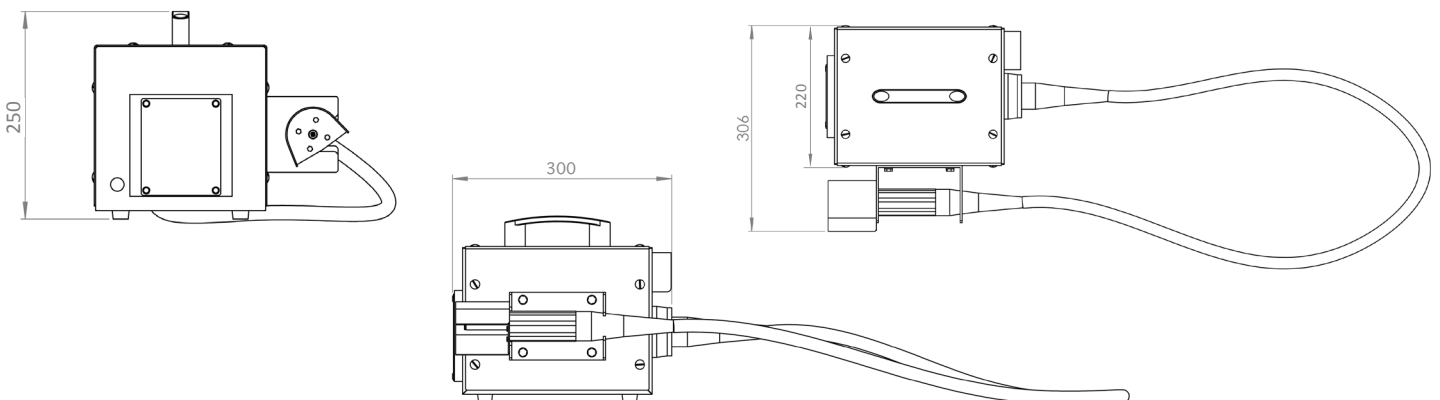
(1) depending on requested voltage

(2) 1mm = 0,03937 inches

(3) 1kg = 2,20462 pounds



FOOTPRINT



Due to the high degree of customization possibilities, technical data of the final product may vary.

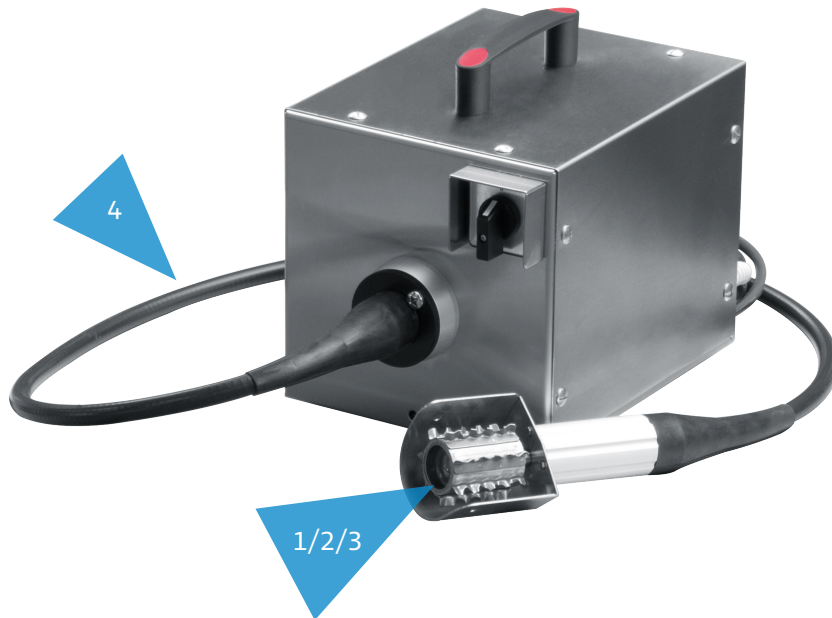


OPTIONS



ST521

DESCALING MACHINE



521/043	1
Small spindle head for small scales	

521/062	2
Medium spindle head for medium scales	

521/063	3
Large spindle head for large scales	

521/CABLE	4
Longer cable	

521/900	5
PVC dome to contain scales	

CUSTOMIZED	6
Tailor-made solution	

Due to the high degree of customization possibilities, technical data of the final product may vary.